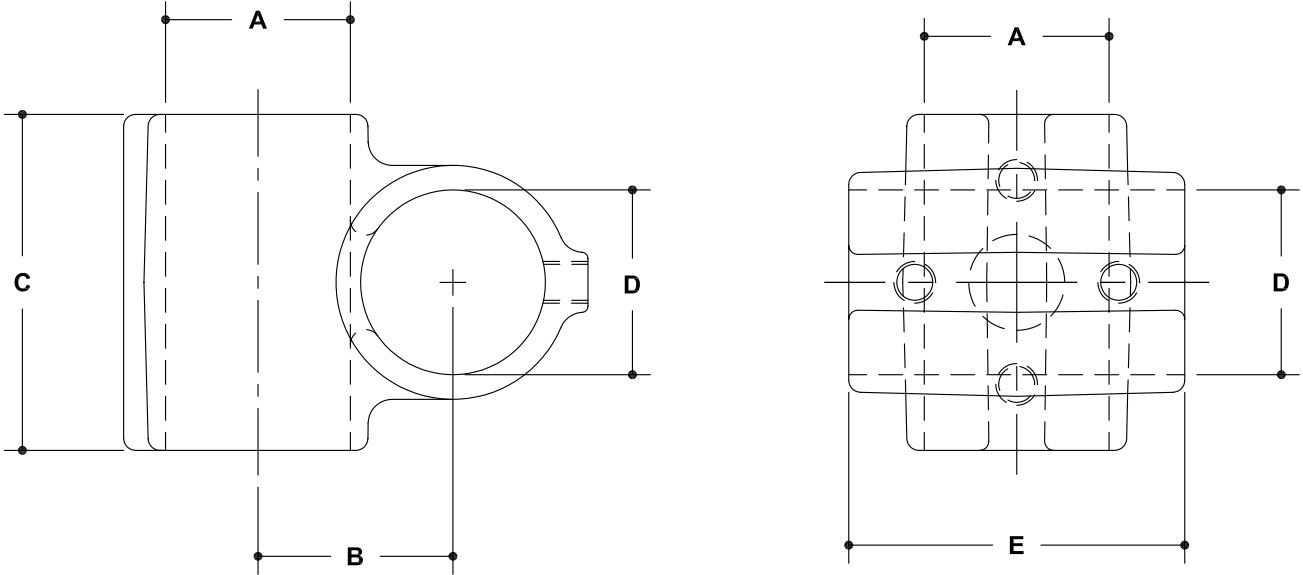


NOTE: DIMENSIONS LOCATED IN BOXES ARE COMMON
SETBACK DIMENSIONS FOR EACH FITTING



#10-56 Offset Cross

SCALE: HALF

ENGLISH UNITS (Inches)							
PIPE SIZE	A	B	C	D	E	F	G
1"	1.34	1.31	3.00				
3/4"				1.07	2.50		

METRIC UNITS (mm)							
PIPE SIZE	A	B	C	D	E	F	G
1"	34	33	76				
3/4"				27	64		