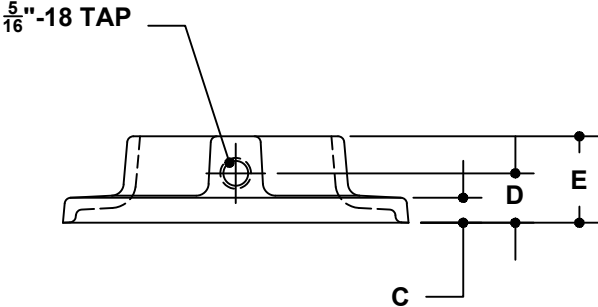
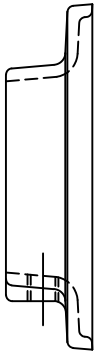
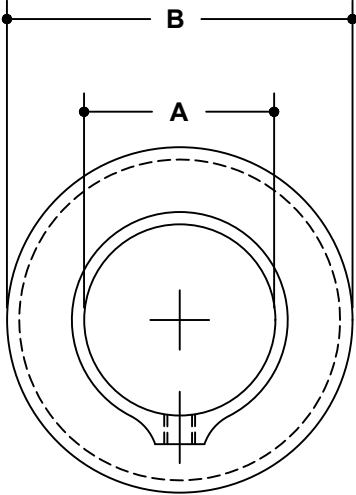


NOTE: DIMENSIONS LOCATED IN BOXES ARE COMMON
SETBACK DIMENSIONS FOR EACH FITTING



#140F GROUT RING COVER

SCALE: HALF

ENGLISH UNITS (Inches)							
PIPE SIZE	A	B	C	D	E	F	G
1½"	1.93	3.50	0.25	0.50	0.88		

METRIC UNITS (mm)							
PIPE SIZE	A	B	C	D	E	F	G
1½"	49	89	6	13	22		