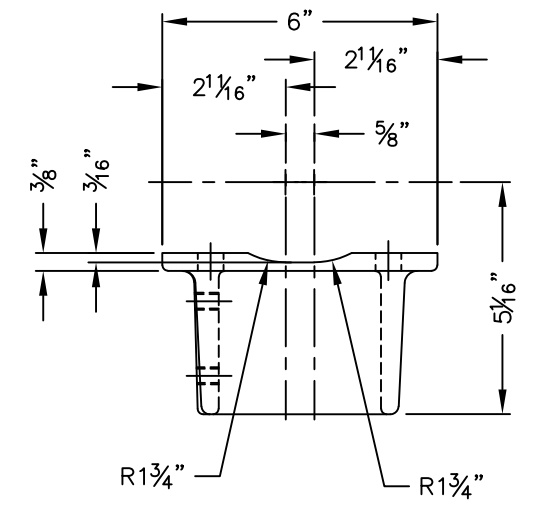
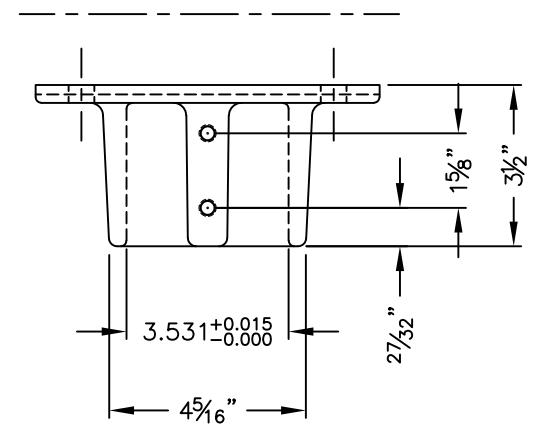
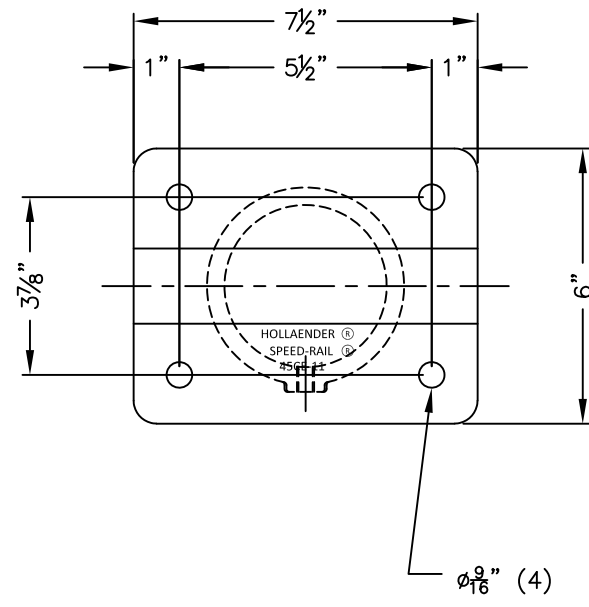


#45CE-11 SOLAR POST TOP MOUNT
3" PIPE SIZE



#45CE-11 SOLAR POST TOP MOUNT
3" PIPE SIZE

THIS DRAWING AND ALL THE INFORMATION THEREON IS THE PROPERTY OF THE HOLLANDER MFG. CO., IS CONFIDENTIAL AND MUST NOT BE MADE PUBLIC, NOR COPIED, NOR USED, TO THE DISADVANTAGE OF SAID HOLLANDER MFG. CO. AND IS SUBJECT TO RETURN ON DEMAND.

COPYRIGHT 2011, HOLLANDER® MANUFACTURING CO.

NO.	REVISIONS	DATE	APPROVED
0	RELEASED FOR APPROVAL		BW

Hollaender®
STRUCTURAL ENGINEERING GROUP
10285 WAYNE AVENUE
CINCINNATI, OH 45215-6399
PHONE: (800) 772-8800 FAX: (800) 772-8806
WWW.HOLLAENDER.COM

PROJECT
3" TOP CAP
#31820

CUSTOMER

DESCRIPTION
SPEED RAIL
SUBMITTAL AND
APPROVAL DRAWINGS
#45CE-11

DRAWN BY: GG
APPROVED BY: BW
DATE: 12-07-20
PROJECT NO.: N/A
SCALE: NTS
FINISH: See Notes
MATERIAL: See Notes

DRAWING NO.: 6119-S
SHEET 1 OF 1

