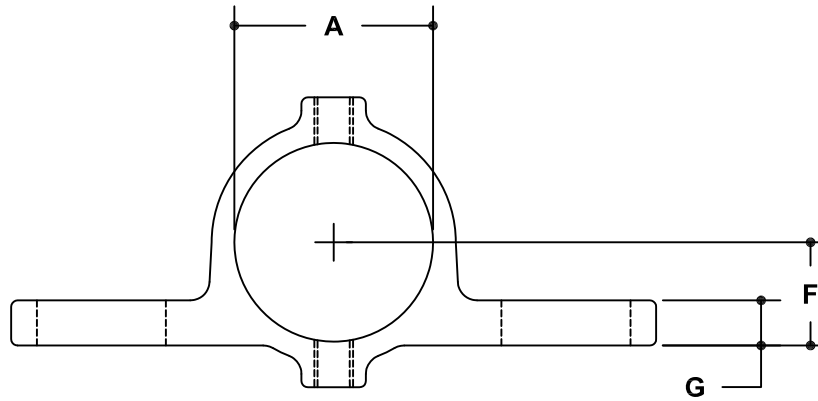
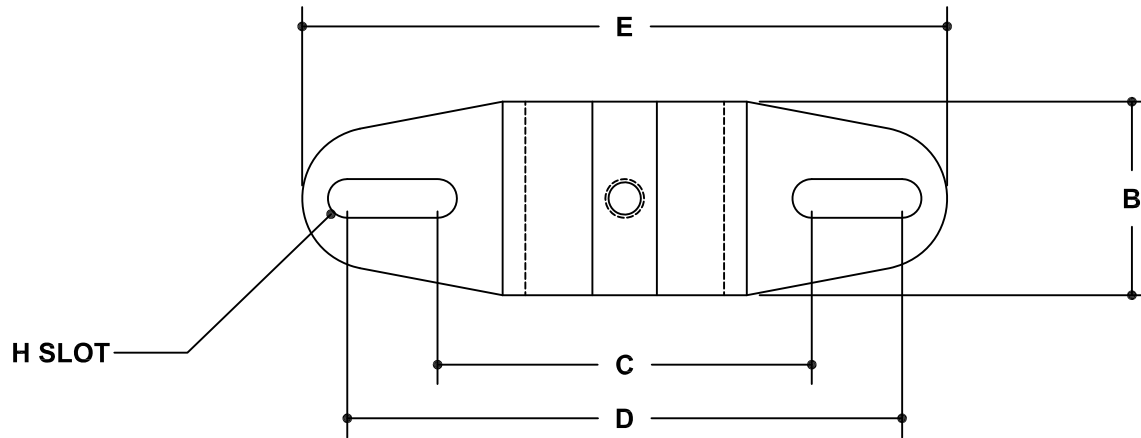


NOTE: DIMENSIONS LOCATED IN BOXES ARE COMMON  
SETBACK DIMENSIONS FOR EACH FITTING



## #94 Double Tab Bracket

SCALE: HALF

ENGLISH UNITS (Inches)								
PIPE SIZE	A	B	C	D	E	F	G	H
1½"	1.93	1.88	3.63	5.38	6.25	1.00	.44	.38x1.25

METRIC UNITS (mm)								
PIPE SIZE	A	B	C	D	E	F	G	H
1½"	49	48	92	137	159	25	11	10x32