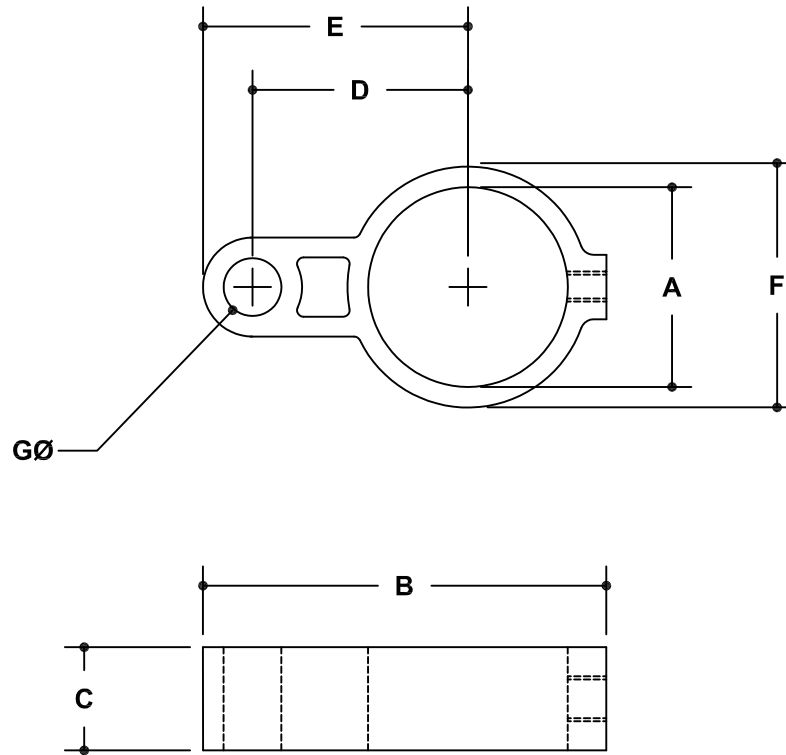


NOTE: DIMENSIONS LOCATED IN BOXES ARE COMMON
SETBACK DIMENSIONS FOR EACH FITTING



#78I Extruded Gate Hinge Female Body

SCALE: HALF

ENGLISH UNITS (Inches)							
PIPE SIZE	A	B	C	D	E	F	G
2"	2.40	4.33	1.00	2.25	2.73	2.81	.59
1½"	1.93	3.91	1.00	2.09	2.57	2.37	.59
1¼"	1.68	3.78	1.00	2.09	2.57	2.08	.59

METRIC UNITS (mm)							
PIPE SIZE	A	B	C	D	E	F	G
2"	61	110	25	57	69	71	15
1½"	49	99	25	53	66	60	15
1¼"	43	96	25	53	66	53	15