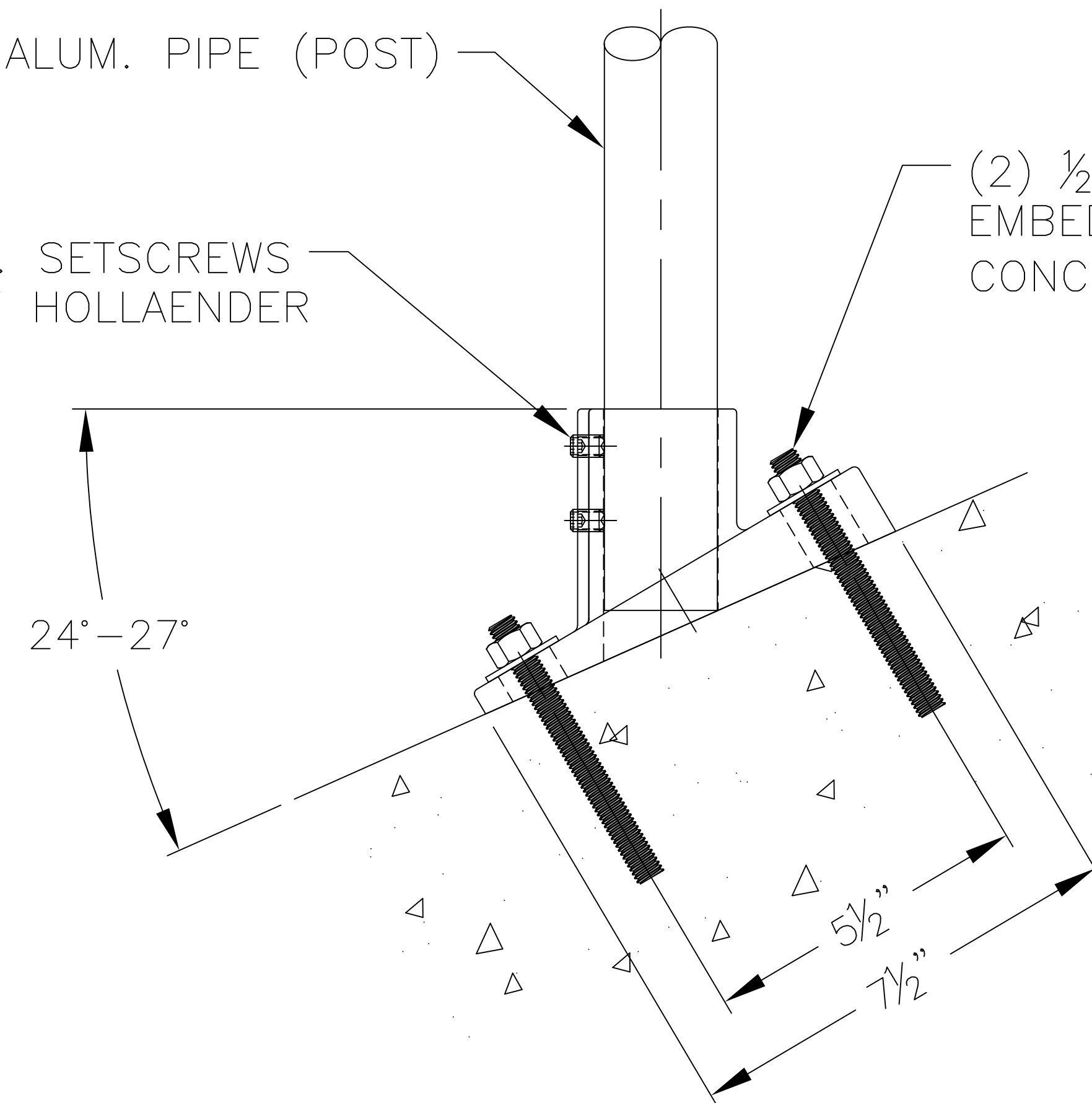


1 1/2" SCH 80 ALUM. PIPE (POST)

(2) $\phi 3/8$ " SST. SETSCREWS PROVIDED BY HOLLAENDER

(2) 1/2" CHEMICAL ANCHOR 2 3/4" MINIMUM EMBED PROVIDED BY OTHERS. MINIMUM CONCRETE THICKNESS OF 3 3/4".



Hollaender[®]

STRUCTURAL ENGINEERING GROUP

10285 WAYNE AVENUE

CINCINNATI, OH 45215-6399

PHONE: (800) 772-8800 FAX: (800) 772-8806

WWW.HOLLAENDER.COM

**#46AF4-8 ANGLE BASE FLANGE
CONCRETE DETAIL**